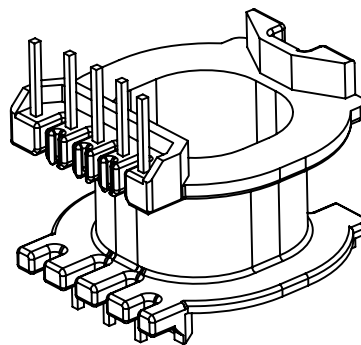
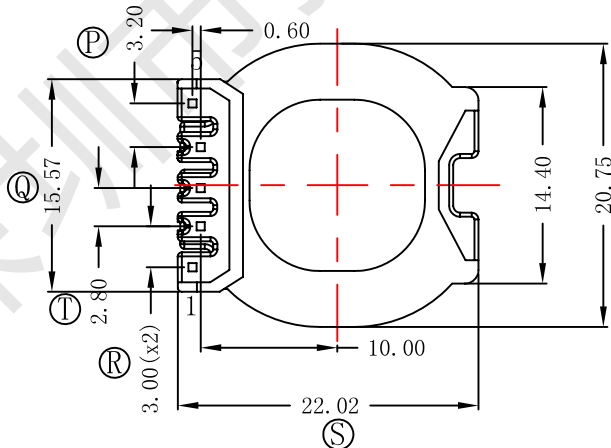
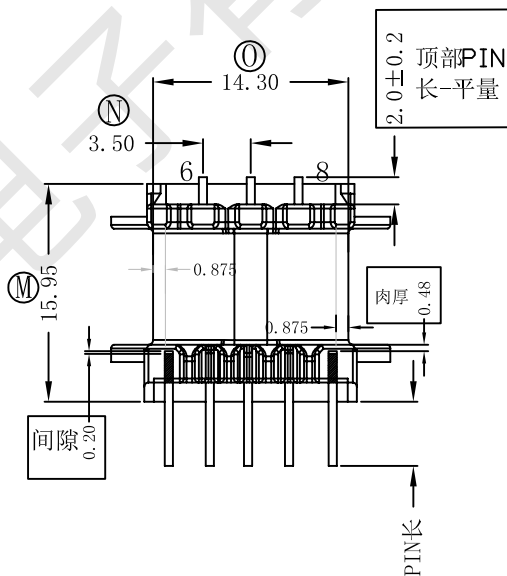
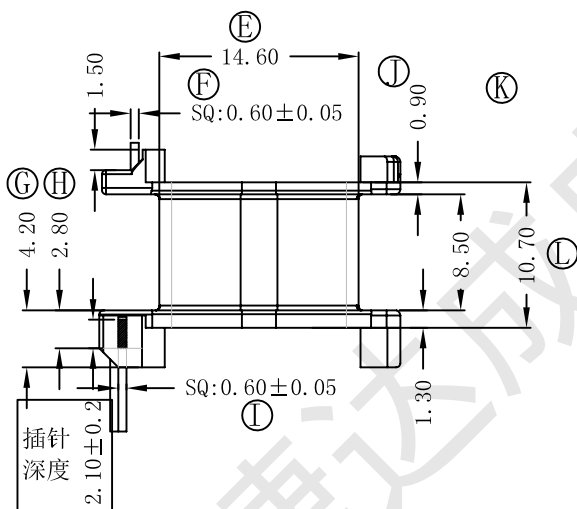
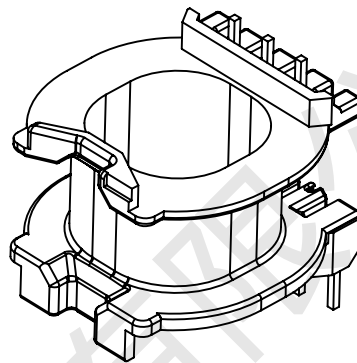
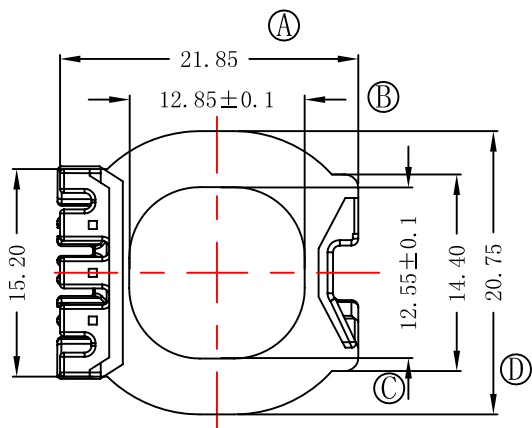


型号

ATQ-2553



REV	DATE	REVISIONS REC
1	23-3-11	挡板上的两个凸点取消
2	23-3-27	D尺寸20.45改为20.75, M尺寸15.45改为15.95, 顶部针长外露1.75改为2.00

深圳市捷达成电子有限公司

SHANZHEN JIEDACHENG ELECTRONICS CO.,LTD.

TEL:0755-27317730 FAX:0755-27317731

ANGLE:  
+/-1°

MODEL NAME:  
ATQ-2553 5+3PIN

UNIT:  
MM

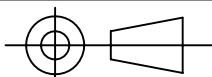
UL REC:  
UL 94V-0

BOBBIN MATERIAL:  
PM-9630

SCALE:  
4/1

PIN TENSION LOAD:  
2.0KG MIN

PIN MATERIAL:  
CP WIRE



DATE:  
2023-03-27

DRAWING NO:  
ATQ-25

REV:  
1.0

DRAFTER

L.R.J

TOLERANCE

0<L<4 ±0.1

4<L<16 ±0.2

16<L<50 ±0.3

PIN PITCH ±0.2

CHECKER

Y.F.